

CASE SUMMARY

Worked on client's patent portfolio to target a semiconductor chip company of choice



Value Delivered

The evidence of infringement were collected by connecting dots from different sources. Thus the client was provided with a detailed infringement mapping. An explanation was provided to make the connection of information simple to understand.

Problem to be solved

Client wanted to find if any patents in their portfolio are being infringed by a particular semiconductor company. The challenge here was, the target company has scarce information published online on the technology of its ICs. Further the semiconductor technology is complex and related to backend functioning of the product. So testing the product would require additional resources.

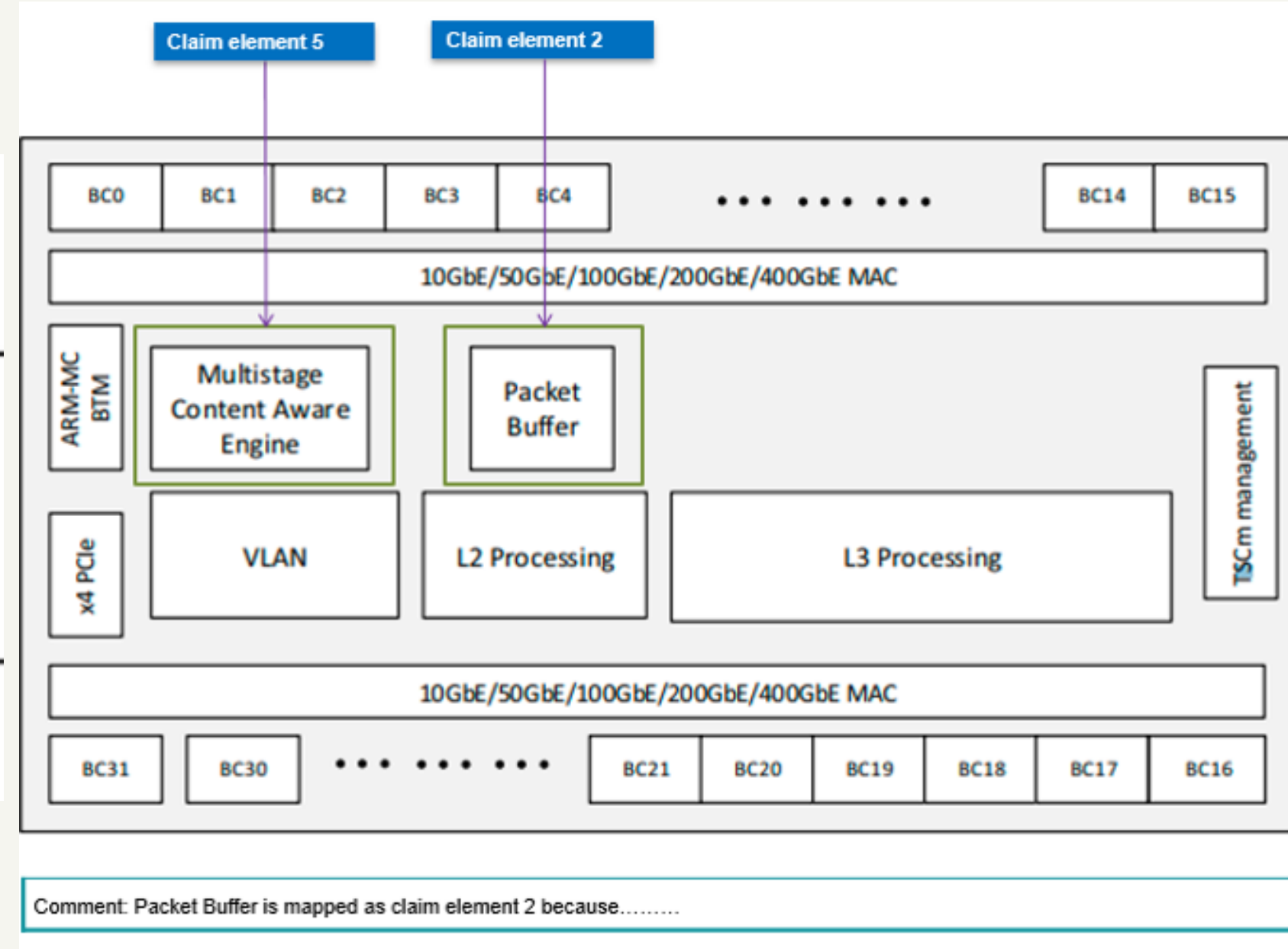
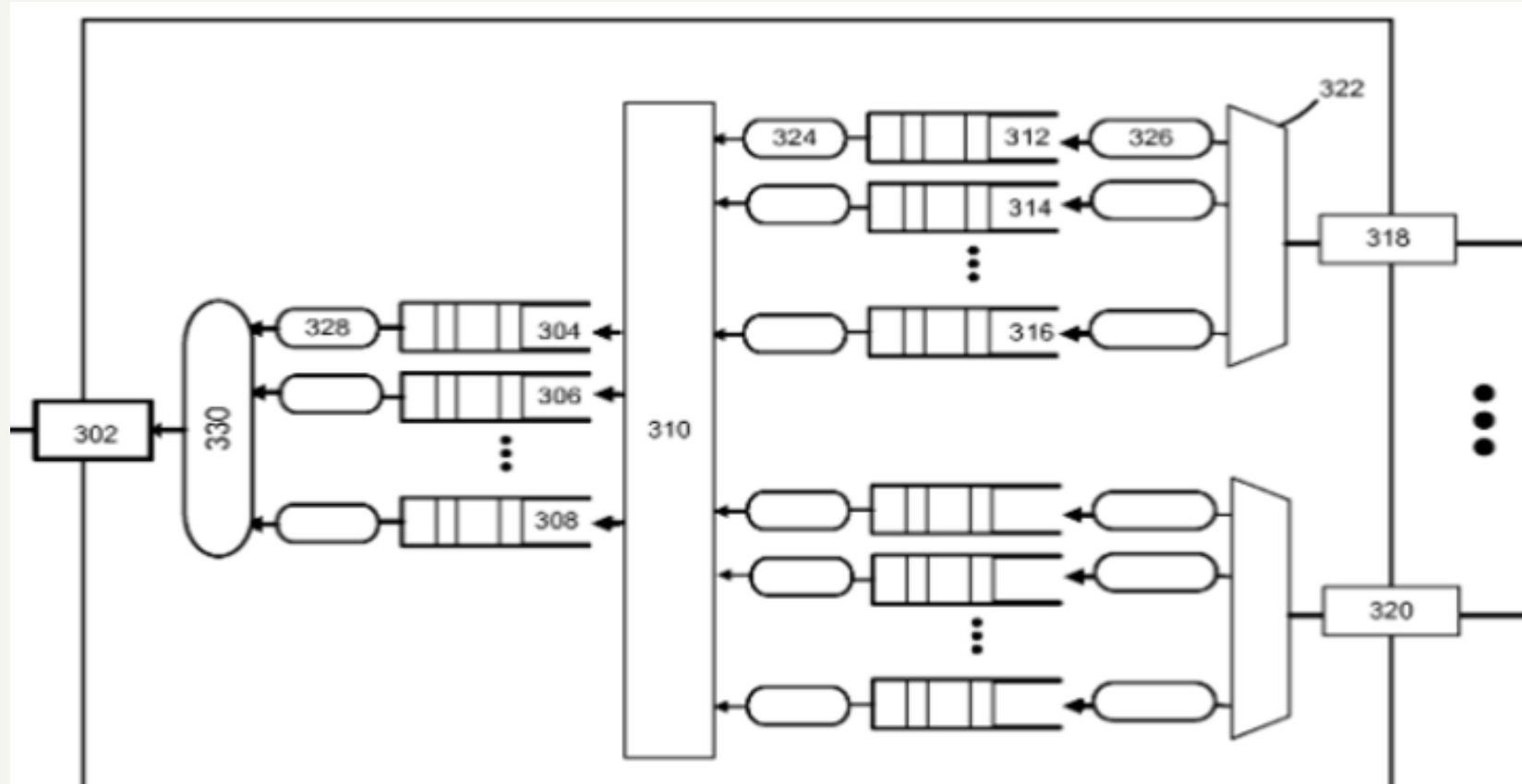


Solutions offered

GreyB commenced the analysis by shortlisting patents from portfolio which are related to the target company's core technology. For infringement analysis on each shortlisted patent, we dived into patent understanding and a novelty check. Based on it, we shortlisted some relevant semiconductor chips.

We checked the infringement of the shortlisted chips by understanding the working principles of the chips. For showing overlap, we collected evidence of infringement majorly from data sheets and websites of the chips. Additionally, we also supplemented the mapping with other subordinate sources of evidence such as concerned technology standards (IEEE 802.1 & IEEE 802.3) and relevant patents filed by the target company.

As an end product, the client was provided an Evidence of Use chart including infringement evidence for every claim element from online information, thereby saving additional resources. We also provided analyst's comments written in plain English to easily understand the mapping of complex technology.





Get in touch with us!



Phone Number

+1 415 480 0300
+1 202 455 5058
+65 84306322



Email Address

Sales@Greyb.com
Chakshu@Greyb.com



Address

1 Scotts Road, #24-05, Shaw Centre, Singapore 228208

Quark Atrium, A-45, Industrial Focal Point, Phase VIII
Extension, Mohali, Punjab, 160071, India